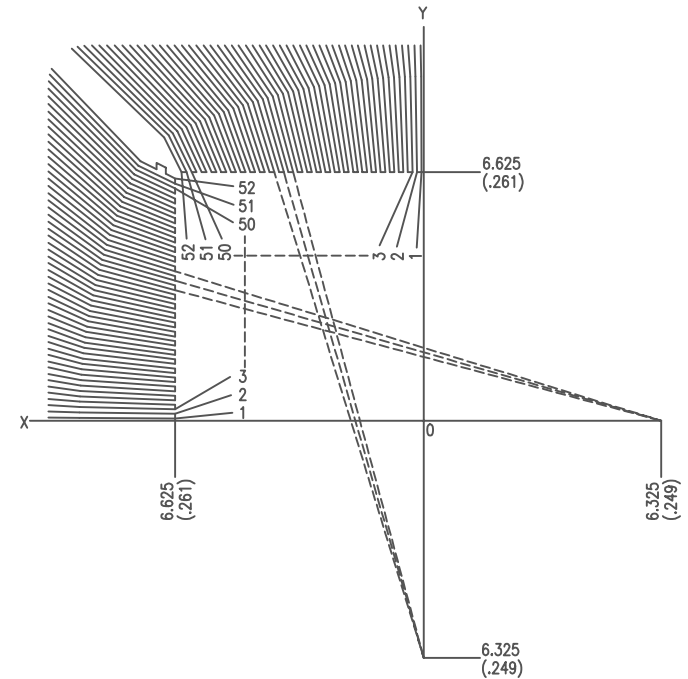
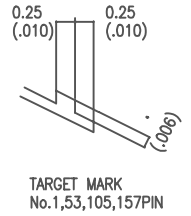


No.	ANGLE	No.	ANGLE
1	0.265 °	27	14.010 °
2	0.804 °	28	14.531 °
3	1.334 °	29	15.043 °
4	1.872 °	30	15.562 °
5	2.402 °	31	16.072 °
6	2.940 °	32	16.588 °
7	3.469 °	33	17.095 °
8	4.006 °	34	17.608 °
9	4.535 °	35	18.112 °
10	5.071 °	36	18.623 °
11	5.599 °	37	19.123 °
12	6.135 °	38	19.631 °
13	6.661 °	39	20.128 °
14	7.196 °	40	20.633 °
15	7.721 °	41	21.127 °
16	8.254 °	42	21.628 °
17	8.778 °	43	22.119 °
18	9.310 °	44	22.616 °
19	9.832 °	45	23.104 °
20	10.362 °	46	23.598 °
21	10.882 °	47	24.081 °
22	11.411 °	48	24.572 °
23	11.929 °	49	25.052 °
24	12.455 °	50	25.538 °
25	12.972 °	51	26.014 °
26	13.496 °	52	26.496 °



MODIFICATIONS	DATE	DRAWN	CHECKED	APPROVED

NAME 208LD QUAD K-PACK Z' (13.0SQ)		TOLERANCES: UNLESS OTHERWISE SPECIFIED		DRAWN K.Ohtsuka	CHECKED Y.Torihara
SCALE 5 : 1	MATERIAL			APPROVED K.Yamamoto	DATE OCT.28'96
KYOCERA CORPORATION		KYOTO JAPAN		DWG No. QC-208510-WZ	

C H A N G E

REGARDING CAPACITANCE AND INDUCTANCE INFO REQUEST FOR QC-208510-WZ,
WE DO NOT HAVE THIS PKG ITSELF DATA IN OUR HAND BUT WE HAVE SIMILAR PKG
DATA SO PLS ADVISE TO THE CSTR AS BELOW.

REQUESTED PKG	208 C/Q	O.D. 1.102 SQ	CAVITY SIZE .512 SQ
OUR AVAILABLE PKG	208 C/Q	O.D. 1.102 SQ	CAVITY SIZE .551 SQ

DATA	CAPACITANCE	LONG PIN TO PIN	4.7 PF
		SHORT PIN TO PIN	3.2 PF

	INDUCTANCE	LONG PIN	5 NH
		SHORT PIN	3 NH

SO QC-208510-WZ ACTUAL DATA WILL BE LITTLE BIT BIGGER THAN ABOVE DATA BECAUSE
CAVITY SIZE IS SMALL.

THANK YOU.